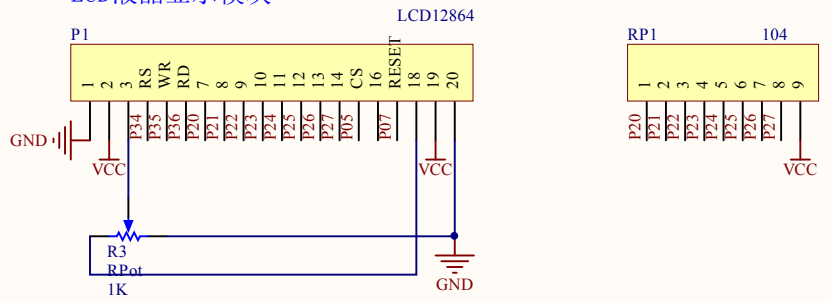
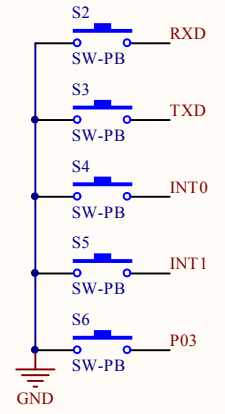


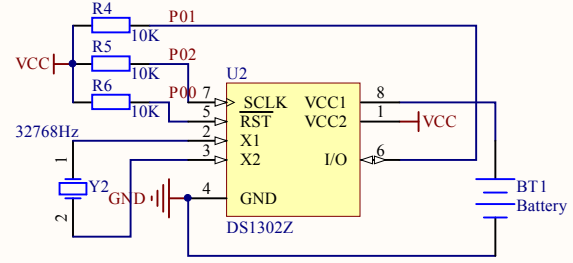
LCD液晶显示模块



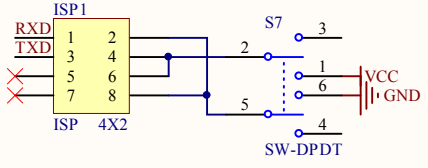
按键模块



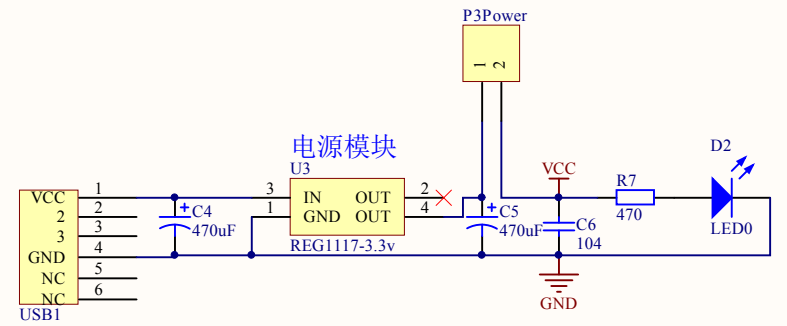
DS1302时钟模块



程序下载模块

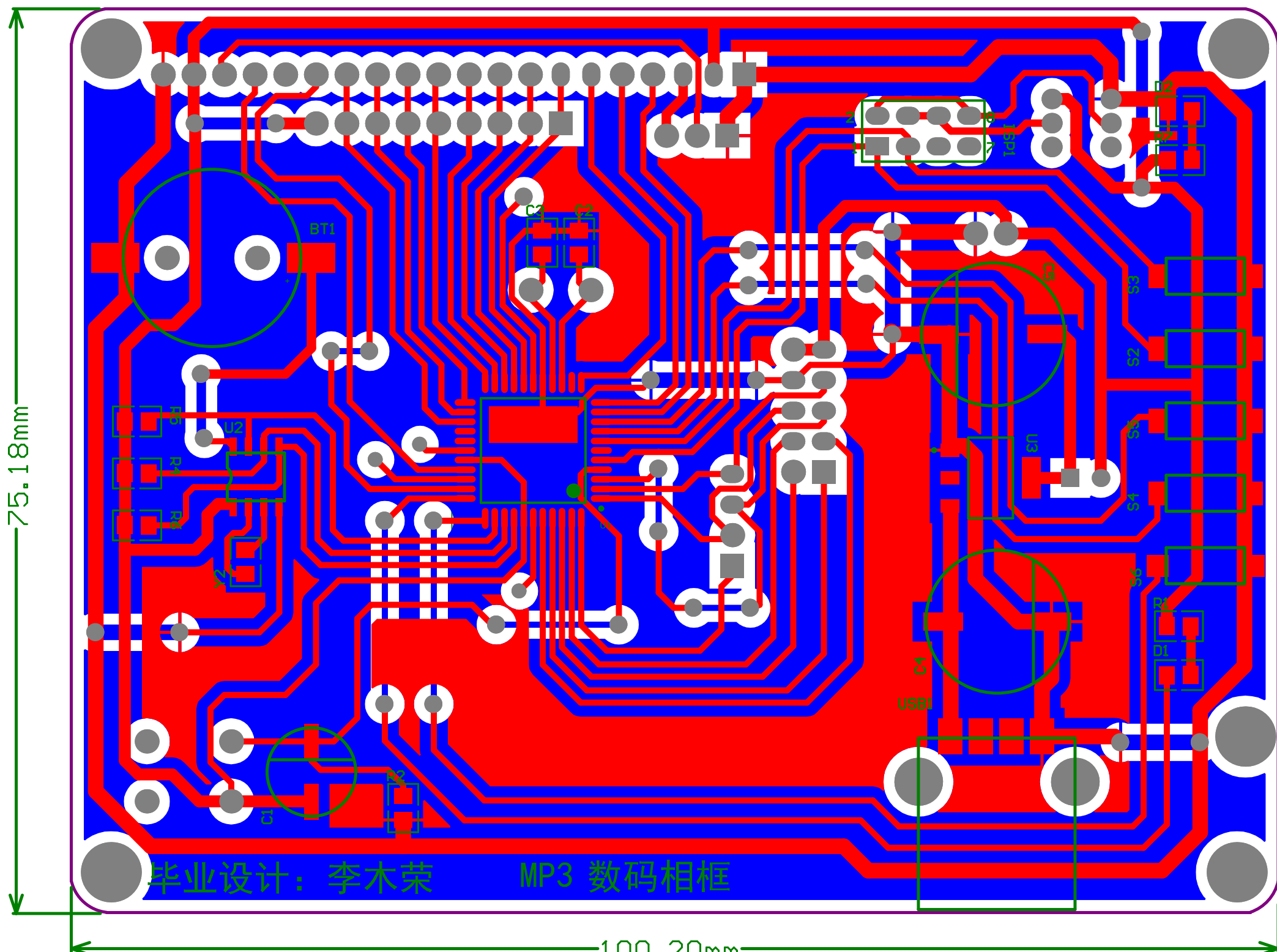


电源模块



Title		
Size	Number	Revision
A4		
Date:	2012/4/10	Sheet of
File:	D:\...\Sheet1.SchDoc	Drawn By:

75.18mm



毕业设计：李木荣

MP3 数码相框

100.20mm

Bill of Materials

<Parameter Title not found>

Source Data From: MEDIA.PRJPCB
 Project: MEDIA.PRJPCB
 Variant: None

Creation Date: 2012/4/10 14:24:55
 Print Date: 41009 41009.6007

Footprint	Comment	LibRef	Designator	Description	Quantity
cr1220	Battery	Battery	BT1	Multicell Battery	1
cap6x5	Cap2	Cap2	C1	Capacitor	1
0805	Cap	Cap	C2, C3	Capacitor	2
cap10x10	Cap Pol1	Cap Pol1	C4, C5	Polarized Capacitor (Radial)	2
VP32-3.2	Cap	Cap	C6	Capacitor	1
0805	LED0	LED0	D1, D2	Typical INFRARED GaAs LED	2
HDR2X4	ISP 4X2	Header 4X2	ISP1	Header, 4-Pin, Dual row	1
HDR1X20	LCD12864	Header 20	P1	Header, 20-Pin	1
HDR2X5	J_MP3	Header 5X2	P2	Header, 5-Pin, Dual row	1
HDR1X2	Power	Header 2	P3	Header, 2-Pin	1
0805	Res2	Res2	R1, R2, R4, R5, R6, R7	Resistor	6
VR5	RPot	RPot	R3	Potentiometer	1
HDR1X9	104	Header 9	RP1	Header, 9-Pin	1
BU	SW-PB	SW-PB	S1	Switch	1
bu_mini	SW-PB	SW-PB	S2, S3, S4, S5, S6	Switch	5
自锁开关	SW-DPDT	SW-DPDT	S7	Double-Pole, Double-Throw Switch	1
HDR1X4	Header 4	Header 4	SD_J1	Header, 4-Pin	1
LOFP44_N	STC12C5A60S2	P89C51RD2HB	U1	80C51 8-Bit Flash Microcontroller Family, kB ISP/IAP Flash with 1 kB RAM.	1
SOP8	DS1302Z	DS1302Z	U2	Trickle Charge Timekeeping Chip	1
ZZ311	REG1117-3.3v	REG1117-5	U3	800mA and 1A Low Dropout Positive Regulator 2.85V, 3.3V, 5V, and Adjustable	1
USBm-mini	USB	USB	USB1	USB conters	1
XTA	XTAL	XTAL	Y1	Crystal Oscillator	1
0805	32768Hz	XTAL	Y2	Crystal Oscillator	1
					35

Approved	Notes